

The SPS Model FT airlock is ideal for low pressure dust control and pneumatic conveying applications. Rated for up to 18" water column positive or negative pressure, it functions perfectly as an air seal at the discharge of cyclones, baghouses, and filter receivers.

The FT airlock is available in 10 sizes, from 4" to 30" inlet sizes, and from .0.10 to 42.5 ft<sup>3</sup> per rev throughput volume.

**Standard Features:**

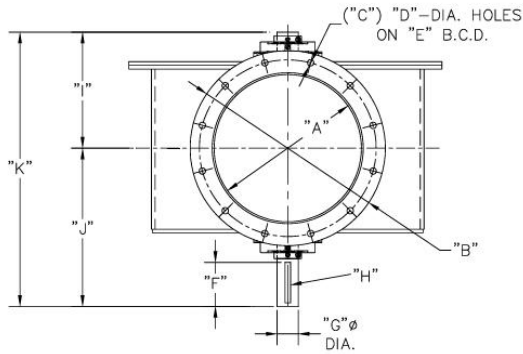
- 10 available sizes (0.10 to 42.5 CFR)
- Designed for up to 18" WC positive or negative pressure
- Fabricated mild steel construction
- EPDM standard wipers offer good abrasion resistant characteristics
- Dual or single rotor wipers depending on application
- Heavy duty shaft ball bearings
- Standard right angle gearmotor with chain drive
- OSHA drive guard
- Standard temperature up to 300°F
- Removable side plate for easy maintenance

**Optional Features:**

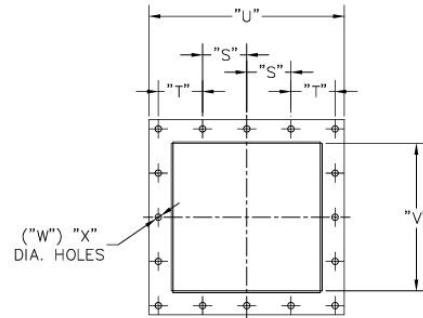
- Reduced volume rotor pockets for product metering applications
- Stainless steel construction
- Polyurethane wipers
- Custom sizes and inlet/outlet flange configurations
- Motion speed switch
- Special motors available (XP, Corrosion duty, special voltages, etc.)
- Direct drive gearmotors available
- Parallel gear drives available
- Extended clearance wipers
- Other custom options available on request.



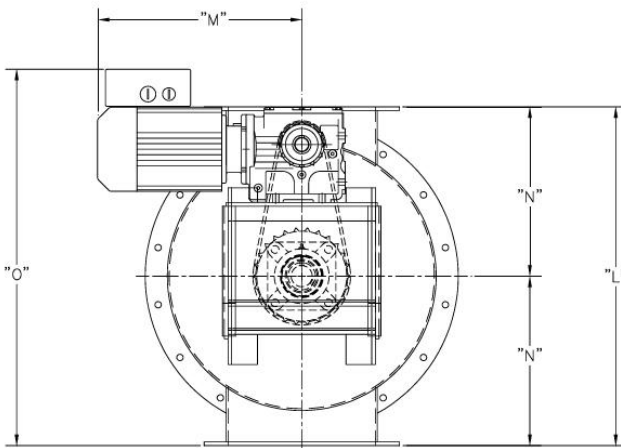
**“FT” (FLEX-TIP) AIRLOCK**



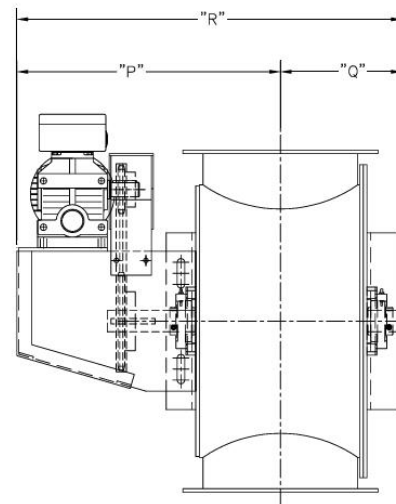
PLAN VIEW



OPTIONAL SQUARE FLANGE



ELEVATION



ELEVATION

VALVE	A	B	C	D	E	F	G	H	I	J	K	L	M	N
FT 4	4Ø	7Ø	6	7/16Ø	6	3 1/4	1 1/4Ø	1/4 X 1/8	4 7/8	6 1/2	11 3/8	13	12 7/16	6 1/2
FT 6	6Ø	9 1/4Ø	8	7/16Ø	8	3 1/4	1 1/4Ø	1/4 X 1/8	6	9 1/2	16	15	13	7 1/2
FT 8	8Ø	11 1/4Ø	8	7/16Ø	10	3 1/4	1 1/4Ø	1/4 X 1/8	7 1/4	10 3/4	18	19	13	9 1/2
FT 10	10Ø	13 1/4Ø	12	7/16Ø	12	3 1/4	1 7/16Ø	3/8 X 3/16	8 1/4	10 3/4	19	23	13 13/16	11 1/2
FT 12	12Ø	15 1/4Ø	12	7/16Ø	14	3 1/4	1 7/16Ø	3/8 X 3/16	9	12 1/2	21 1/2	27	13 7/8	13 1/2
FT 14	14Ø	18 1/2Ø	16	7/16Ø	16 1/2	3 1/4	1 11/16Ø	1/2 X 1/4	11 1/2	15 1/8	26 7/16	35	17 7/8	17 1/2
FT 16	16Ø	19 1/4Ø	16	7/16Ø	18	3 1/4	1 11/16Ø	1/2 X 1/4	11 5/16	15 1/8	26 7/16	35	17 7/8	17 1/2
FT 20	20Ø	23 3/8Ø	24	7/16Ø	22	3 1/4	2 3/16Ø	1/2 X 1/4	14 1/8	17 1/2	31 5/8	43 3/8	17 7/8	21 11/16
FT 22	22Ø	25 1/2Ø	24	7/16Ø	24	3 1/4	2 3/16Ø	1/2 X 1/4	15 7/8	18 3/4	34 5/8	49 1/2	17 7/8	17 7/8
FT 24	24Ø	27 1/2Ø	24	7/16Ø	26	3 1/4	2 3/16Ø	1/2 X 1/4	15 7/8	18 3/4	34 5/8	49 1/2	17 7/8	17 7/8
FT 30	30Ø	33 1/2Ø	32	7/16Ø	32 1/8	3 1/4	2 3/16Ø	1/2 X 1/4	18 11/16	22	40 11/16	61 1/2	18 5/8	30 3/4

VALVE	O	P	Q	R	S	T	U	V	W	X	HP	REV. 100%	WEIGHT
FT 4	17 15/16	11 11/16	4 7/8	16 9/16	3	---	7	4	6	7/16Ø	1/2	.10	200
FT 6	21 7/16	15 1/2	6	22	2 5/8	---	9 1/4	6	12	7/16Ø	1/2	.234	280
FT 8	23 7/16	16 5/8	7 1/4	23 7/8	3 3/8	---	11 1/4	8	12	7/16Ø	3/4	.64	290
FT 10	25 9/16	17 7/8	8 1/4	26 1/8	3	---	13 1/4	10	12	7/16Ø	3/4	1.34	305
FT 12	27 1/16	18 3/8	9	27 3/8	3 1/2	---	15 1/4	12	16	7/16Ø	1	2.46	380
FT 14	35 1/4	22 7/16	11 5/16	33 11/16	4 1/8	---	18 1/2	14	16	7/16Ø	1 1/2	6.20	815
FT 16	35 1/4	22 7/16	11 5/16	33 11/16	3 5/8	3 5/8	19 1/4	16	20	7/16Ø	2	6.20	820
FT 20	39 5/16	25 15/16	14 9/16	40 1/2	3 11/16	3 11/16	23 3/8	20	24	7/16Ø	3	21.00	1300
FT 22	42 3/8	26 5/8	15 5/16	41 15/16	6	6 1/4	26	22	16	7/16Ø	3	21.00	1850
FT 24	42 3/8	26 5/8	15 5/16	41 15/16	6	7 1/4	28	24	16	7/16Ø	3	21.00	1850
FT 30	49 5/8	33 1/8	18 5/8	51 3/4	4 1/32	4 1/32	33 1/2	30	32	7/16Ø	5	42.50	2000